



**BESPOKE GLAZING SOLUTIONS  
FOR THE WORLD'S FINEST HOMES**

**R**  
**REYNAERS**  
aluminium

“I choose to specify products from companies who:

understand my requirements...

make it easy for me to find the information I need...

have a reliable, premium quality product range...

have excellent customer service...

have a professional and knowledgeable technical support team...

will look after my clients...

and care about customer satisfaction”

## CONTENTS

---

|    |   |
|----|---|
| 04 | Introduction                            |
| 06 | Reynaers Aluminium                      |
| 08 | Design statement                        |
| 10 | Technical support                       |
| 12 | Demonstrable quality                    |
| 14 | Windows and doors                       |
| 16 | Sliding patio doors and bi-fold doors   |
| 20 | Conservatories, orangeries and verandas |
| 22 | Curtain walling                         |
| 24 | Complementary systems                   |
| 26 | Handles and finishes                    |
| 28 | Credentials and accreditations          |
| 30 | Fabricator partners                     |
| 32 | Environmental                           |





## INTRODUCTION

Reynaers Aluminium is a well established and successful business that has grown steadily year after year. This success is no accident; it is the direct result of combining reliable, top quality products and an exemplary focus on customer service.

Through decades of experience of working with architects and contractors, we have a thorough understanding of your business needs.

We know, for example, that when you ask for a quote, you want it quickly, and it needs to be accurate in every detail. When you ask for a product sample, speed of delivery is once again vital. It needs to look perfect, so you will not hesitate to show it to your clients. When you access our website, you need to be able to find the CAD drawings, BIM product models and technical information you are looking for quickly and easily.

At Reynaers, we have a dedicated team of experienced professionals who are committed to delivering the very best levels of customer service to every architect, for every project, regardless of whether it is a single window or a house full of windows and doors.

Our aim is to ensure that once you have experienced working with Reynaers, you never have reason to look elsewhere again.





Private House Leiria (PT) - architect: Contaminar

## REYNAERS ALUMINIUM

---

For 50 years, Reynaers has been designing cutting edge glazing solutions for some of the most iconic buildings in the world. Engineered without compromise, our range of aluminum glazing products is specified time and again by the world's leading architects and construction companies.

Reynaers is dedicated to providing the discerning homeowner with the very best products, combining style and performance without compromise.





## DESIGN STATEMENT

9

There is a growing demand for homes that are flooded with natural daylight; homes that have large expanses of glass providing unobstructed views; homes with huge sliding doors that open up the house and fade the boundaries between home and garden.

The slim frame profiles and great structural integrity of our windows and doors make it possible for us to offer industry-leading maximum sizes, keeping the number of transoms and mullions to a minimum and maximising the glass area.

These same benefits mean that aluminium is a very versatile frame material that is equally suited to both contemporary and traditional properties. A modern glass extension, for example, can both contrast and complement the style of a traditional property and we have windows that replicate the sightlines of old steel windows. For a more adventurous contemporary design, the versatility of our products and the support of our skilled technical team mean the glazing can become a feature of the property rather than just a functional necessity.





## TECHNICAL SUPPORT

11

Our team of experienced technical experts is on hand to answer your technical questions and to provide whatever support you need to be able to complete your specification quickly and with the minimum of fuss.

As you would expect from an established and respected company, there is a comprehensive set of technical literature available for you to browse online and download. Whether you need a full technical catalogue, a short technical summary sheet, case studies or photographs, you will find everything you need on our dedicated extranet site. Naturally there is a comprehensive set of CAD drawings available to download too.





Private house Nocart (BE) - architect: Jean-Marc Douhard - Photo: Debbie De Brauer

## DEMONSTRABLE QUALITY

---

Once you have specified Reynaers products, of course, you need to have confidence that your clients will be delighted with your recommendation.

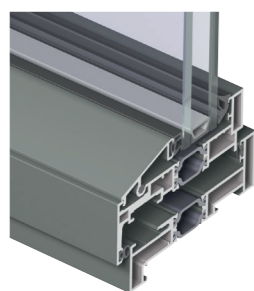
Reynaers can provide you with a consumer brochure that you can present to your clients. It is designed to convey a premium brand positioning, presenting the product range and its benefits in a simple, non-technical way.

Often, your clients will want to see a product or a sample of a product, and here too we are ready to help. A complete range of product samples is available - from corner samples to whole window samples. We can supply color swatches too, helping your clients to choose from the hundreds of finishes that are available.

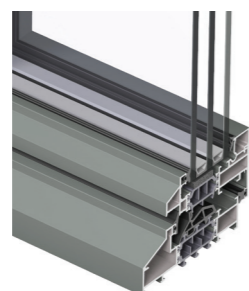




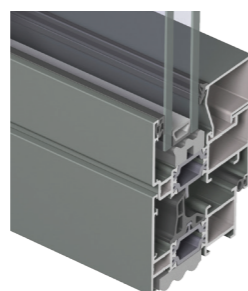
## WINDOWS AND DOORS



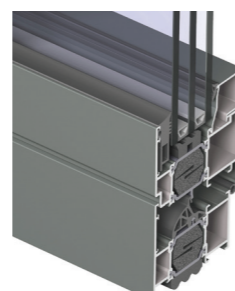
CS 24-SL



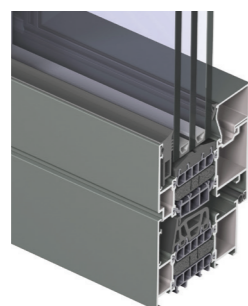
SlimLine 38\*



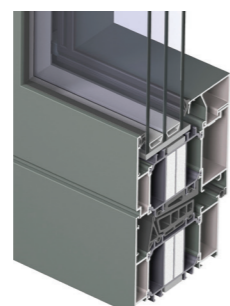
CS 68\*



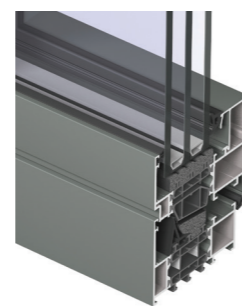
CS 77\*



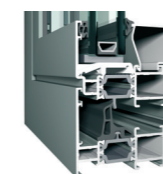
CS 86-HI\*



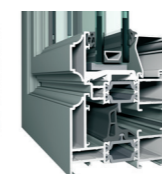
CS 104\*



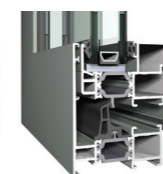
MasterLine 8\*



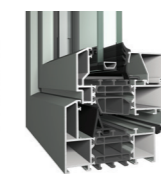
Functional



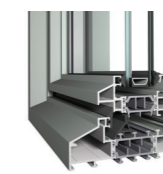
Renaissance



Hidden vent



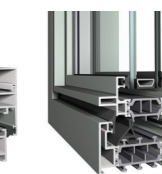
Deco



SlimLine Classic



SlimLine Cubic



SlimLine Ferro

Our portfolio of windows and door systems is composed with care to maximal flexibility towards design, insulation and performances. Products are available that meet with Passive House and Minergie standards and/or are suited for extreme weather conditions to withstand extreme wind loads and have a supreme air and water tightness. The gamma also offers a wide range of safety solutions. Next to the known burglar proofing, bulletproof and fire/smoke evacuation solutions are available.

Reynaers offers a multitude of different design styles. Starting from the design without ornamentation 'Functional', many variations can be chosen: 'Renaissance', 'Hidden Vent', 'Deco' and steel look (SlimLine range) styles such as 'Classic', 'Cubic' and 'Ferro'.

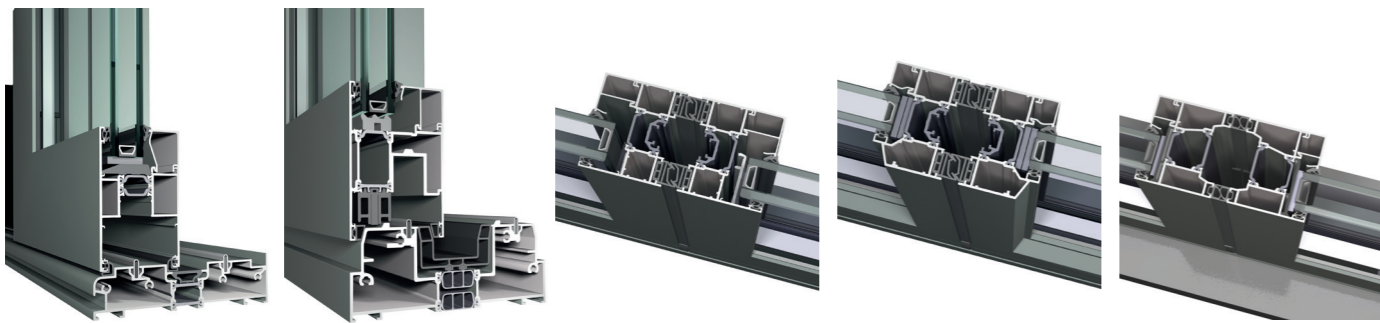
Window and door products can be used up to heights of over 3m, can be assembled to build ribbon-windows or small façades and are completely compatible with our Curtain Wall solutions such as CW 50 and CW 60.

\*High-insulation or HI+ variant





Private House Australia - Architect: AD Robertson & Associates



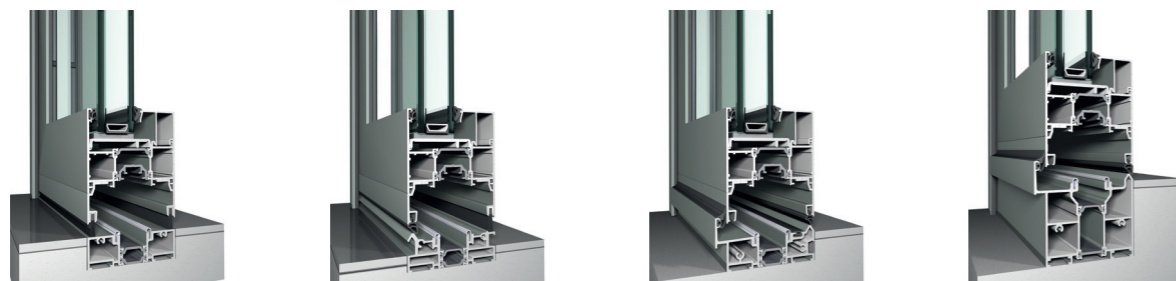
CP 130\* / CP 130-LS

CP 155\* / CP 155-LS\*

CF 77

CF 77-SL

CF 68\*



Flat Bottom

Low Threshold

Double Weather Seal

High Performance

## SLIDING PATIO DOORS AND BI-FOLD DOORS

Reynaers Aluminium offers a comprehensive range of sliding and bi-folding doors with the ability to specify each product to meet your exact requirements.

Choose sliding doors with single, double, triple or up to 8-track designs; slim line options; slide or lift-and-slide mechanisms; manual or automatic operation. Our bi-fold doors have a choice of four different threshold options from flat bottom to high performance, and for CF 77 there is a slim line variant too, with narrower door leaf profiles.

Our range of doors offers industry-leading maximum sizes, excellent thermal and weather performance, and security levels that meet or exceed the relevant European standards.





Private House Schelle (BE) - Architect: Jo Van Laere - Photo: Christophe Van Couteren



Hi-Finity handle



Hi-Finity

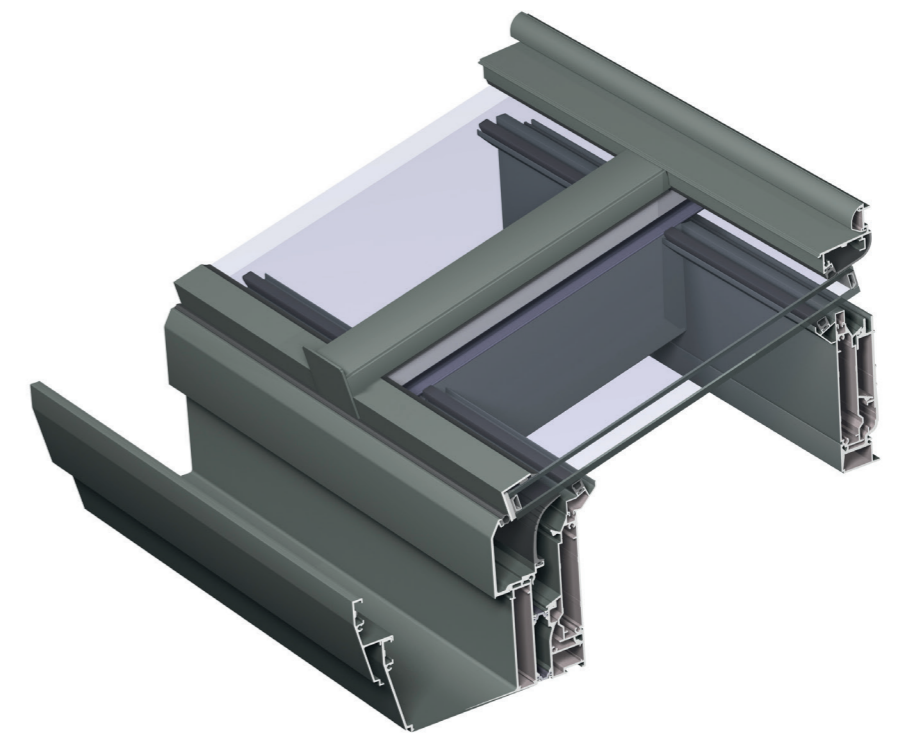
# HI FINITY

## UNIQUE SLIDING DOOR HI-FINITY

The current trend in architecture is "more light through bigger glass surfaces". With this idea in mind, Hi-Finity was designed to accommodate more illumination and high performance. The large glass surfaces reach from floor to ceiling, inviting maximum daylight into the house. The specific character of Hi-Finity sliding doors is expressed by its unique handle, which has a slim, elegant and streamlined appearance.

Thanks to Hi-Finity, the user can now enjoy an infinite view with ultimate performance.





CR 120

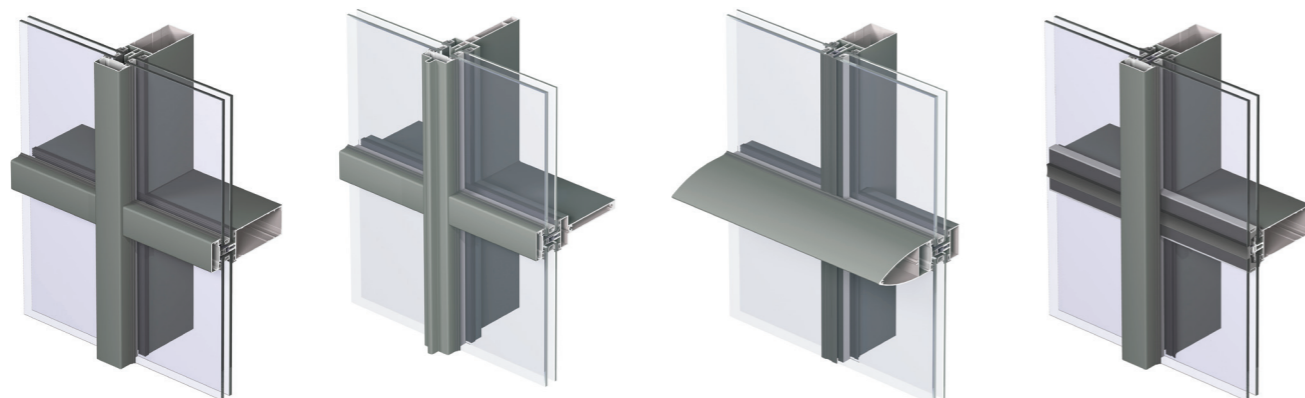
## CONSERVATORIES, ORANGERIES AND VERANDAS

Our roofing system is as comprehensive as it is versatile. Whether you are designing a traditional conservatory, a lantern roof for an orangery, a simple glass veranda roof, or a roof window for an extension, you can rest assured that all our roof systems are compatible with all our window and door systems. This makes it possible to combine our doors, windows, curtain walling and roofs in one elegant design.





Private House El Papal (ES) - architect: AAGF-arquitectura - Photo: Simon Garold

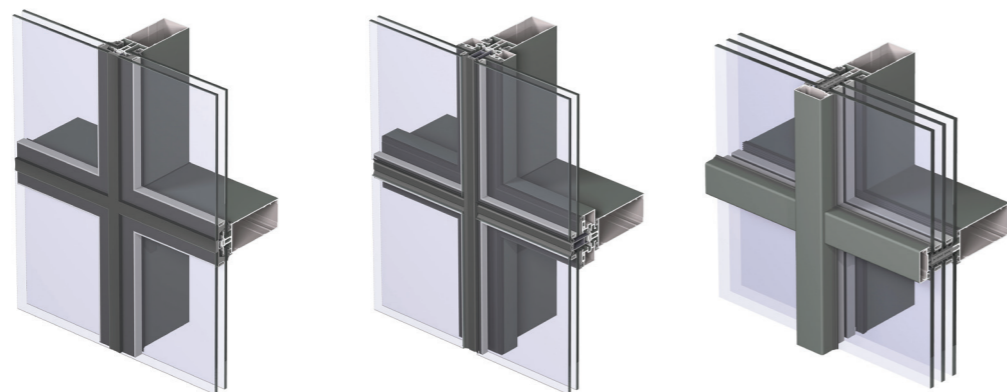


CW 50

CW 50-SL

CW 50-HL

CW 50-VL



CW 50-SC

CW 50-SG

CW 50-HI

## CURTAIN WALLING

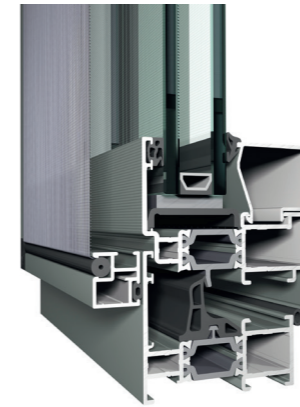
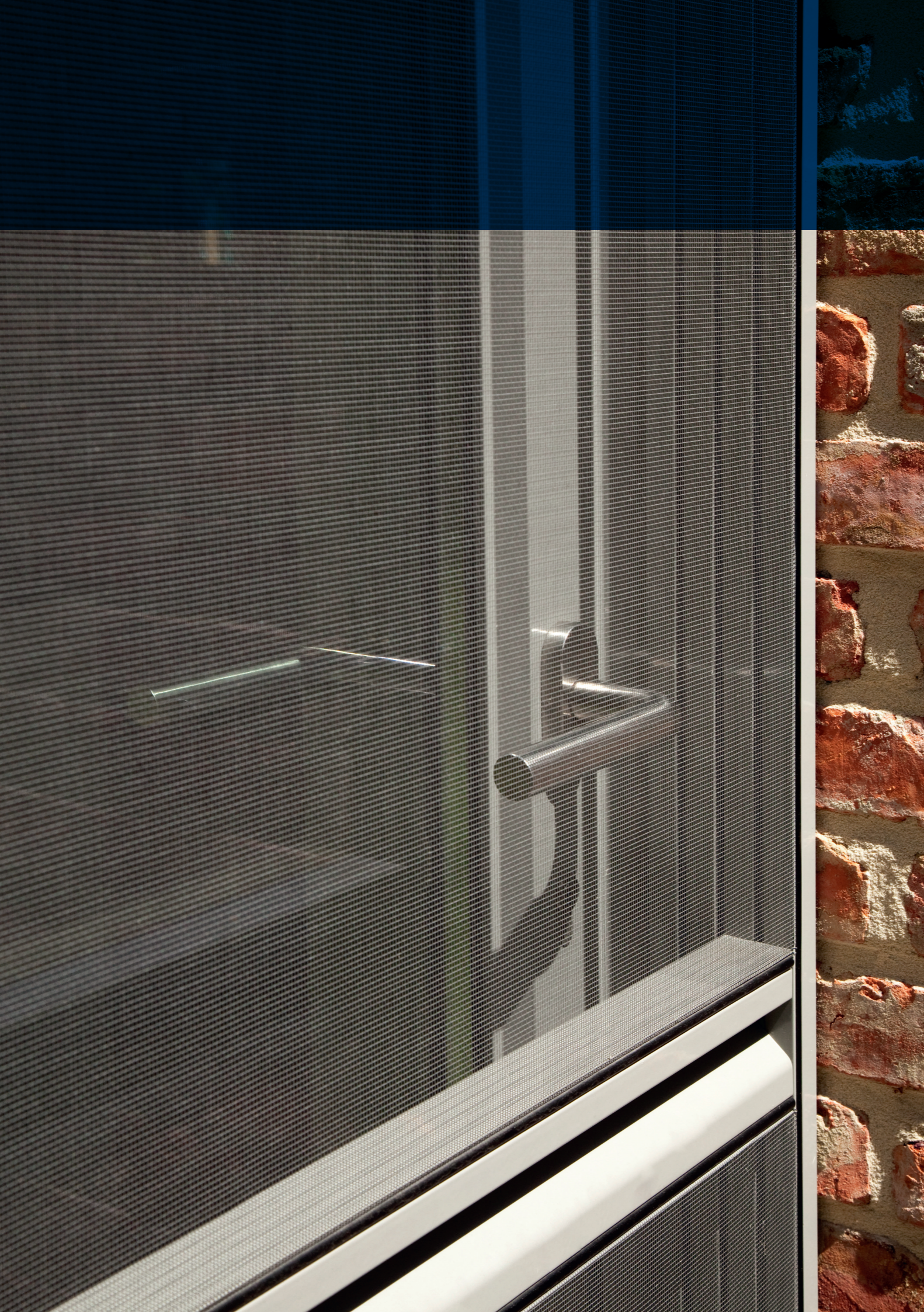
Reynaers offers a comprehensive range of curtain wall systems that are able to meet the specified requirements.

Different design and functional variants are available to enhance the façade of your building.

High performance upgrade options allow triple-glazed units up to 62 mm thick to be incorporated.

Freedom of design is almost guaranteed by the fact that large panels of glass with weights up to 700 Kg (for the standard solutions), can be incorporated into any building. Where there is a requirement of opaque or colored glass or even solid panels, Aluminum Curtain Walling can offer it all. Aluminum has the perfect properties to meet the needs of Curtain Walling.

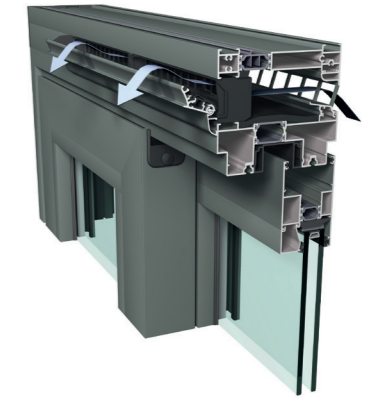




Mosquito



Brise Soleil



Ventalis

## COMPLEMENTARY SYSTEMS

There are a number of other complementary products in our range, which include the following:

- **Mosquito** is a wire mesh fly screen system that is compatible with all our windows, doors and sliding patio doors.
- **Brise soleil** sun shading systems can comprise louvers made from aluminium or glass, and can even be combined with solar photovoltaic panels.
- **Ventalis** is a self-regulating ventilation system that can be incorporated into the top frame of our windows and doors. Manually adjusted to offer five levels of ventilation, the self-regulating system is designed to keep the airflow constant with changes in wind pressure outside. The ventilation units are both insect-repellent and rainproof and are cleverly insulated to minimise the risk of condensation.





Lake Wakatipu House (NZ) - architect: Kōia Architects - Photo: James Jubb



Exclusive Purity handles

For window

For door

For sliding door

## HANDLES AND FINISHES

We have developed an exclusive range of Italian-designed handles called Purity. This suite of handles can be used across our range of windows, doors, sliding patio doors and bi-fold doors, giving consistency of colour and style in every room. Made from a new alloy that offers extreme resistance to corrosion and coated using a new production process called BIOV (Bioecologic Ion Overlay), these highly durable handles are available in a range of four different colours.

For the other handles there are hundreds of finishes to choose from: a huge range of RAL colours in a choice of gloss or matt finish, metallic colours, textured metallic Coatex finishes, wood-grain finishes and anodised options too. Of course, you can also have a different colour inside and out.





Private House Oisterwijk (NL) - M30 Architecten - Photo: Wim Tholenaars

## CREDENTIALS AND ACCREDITATIONS

Reynaers products have been specified in some of the most iconic buildings around the world. All our products are thoroughly tried and tested, earning Reynaers an enviable reputation of excellence among the worlds leading architectural practices and construction companies.

Reynaers is a well established and professional global organisation. Our product range has been independently tested to meet and often exceed the requirements for international standards. What is more, Reynaers is proud to have been awarded a number of accreditations including ISO 9001:2015 and ISO 14001:2004.

**MINERGIE®**  
**MINERGIE-P®**



**BREEAM®**







## FABRICATOR PARTNERS

Reynaers products are available through a network of carefully selected dealers. All have demonstrated an exceptionally high level of customer service, and understand the demands of supplying the discerning home owner at the premium end of the market. All have been thoroughly trained by Reynaers and all have agreed to work to the stringent Reynaers code of conduct:

### Trust

- Be polite and courteous to customers, their family and friends at all times
- Answer any questions honestly and to the best of your knowledge
- Never mislead your customers or avoid the truth in any way
- Respect a customer's right to end a conversation at any time
- Never take advantage of a person's inexperience or vulnerability

### Professionalism

- Be fully trained and competent to complete any service you offer in a correct and professional manner
- Dress intelligently
- Always clean up after yourself at the end of the day
- Treat every customer's home with care and respect
- Put down dust-sheets, and make every effort to minimize mess

### Lawfulness

- Always act within the law
- Always work in accordance with all relevant regulations and standards
- Ensure that customers are aware of their legal rights with regard to any contract that they sign and understand what they are committing to

### Safety

- Follow all appropriate measures to ensure that all work is carried out safely and that any possible risk to the home and to any people in the vicinity is minimized
- Be suitably trained in the operation of all tools and equipment used
- Always have available, and make use of, the necessary health and safety equipment

### Fairness

- Have a clear and equitable complaints policy and procedure
- Take every reasonable measure to ensure that all customers are completely satisfied

This code of conduct is designed to ensure that every customer is treated in a professional manner and receives impeccable service.

Most of our dealers will have a showroom that will be available to you and your clients.





## ENVIRONMENTAL

33

Reynaers Aluminium has an unwavering commitment to our environmental responsibility.

Aluminum is a material that is 100% recyclable without loss of quality. Not only does this mean that we can supply aluminum windows and doors with a high recycled content and guaranteed quality, but it also means that these same products can themselves be recycled at the end of their lifecycle.

Our products are also designed to offer industry-leading levels of thermal performance. Clever design and state-of-the-art thermal breaks help keep heat loss to a minimum, meaning more efficient glazing and lower energy bills for the home owner.

At Reynaers, we recognize that our business activities impact on the environment in a number of different ways, and we are committed to reducing these where possible. In order to achieve our commitment, we have developed and implemented an Environmental Management System that meets the requirements of ISO 14001. This is subject to a regular independent review and audit to ensure that there is effective environmental management at our organization.



“When I specify Reynaers, it’s one less thing I have to worry about. The product spec is always high and I’m always impressed by their know-how and technical expertise.”



At Reynaers Aluminium we constantly seek to develop and improve our products and service for our customers and therefore reserve the right to amend our product specification from time to time. The photographs in this brochure show Reynaers products which may occasionally differ in detail and appearance from those we currently sell.



## ABOUT REYNAERS ALUMINIUM

Reynaers Aluminium is a leading European specialist in the development and marketing of innovative and sustainable aluminium solutions for windows, doors, curtain walling, sliding systems, sun screening and conservatories. Besides offering an extensive range of standard solutions, the company also develops solutions that are tailored to the individual customer or project. Research, product development and testing are conducted at the Reynaers Institute, the sector's largest private innovation and testing centre, located in Duffel (Belgium). In addition, the company also provides extensive technical support and advice to fabricators, contractors and architects.



TOGETHER FOR BETTER

### REYNAERS ALUMINIUM N.V.

Oude Liersebaan 266 • B-2570 Duffel  
t +32 (0)15 30 85 00 • f +32 (0)15 30 86 00  
www.reynaers.com • info@reynaers.com

04/2017 - 0H0.112C.00 - Publisher responsible at law: E. Fonteyne, Oude Liersebaan 266, B-2570 Duffel